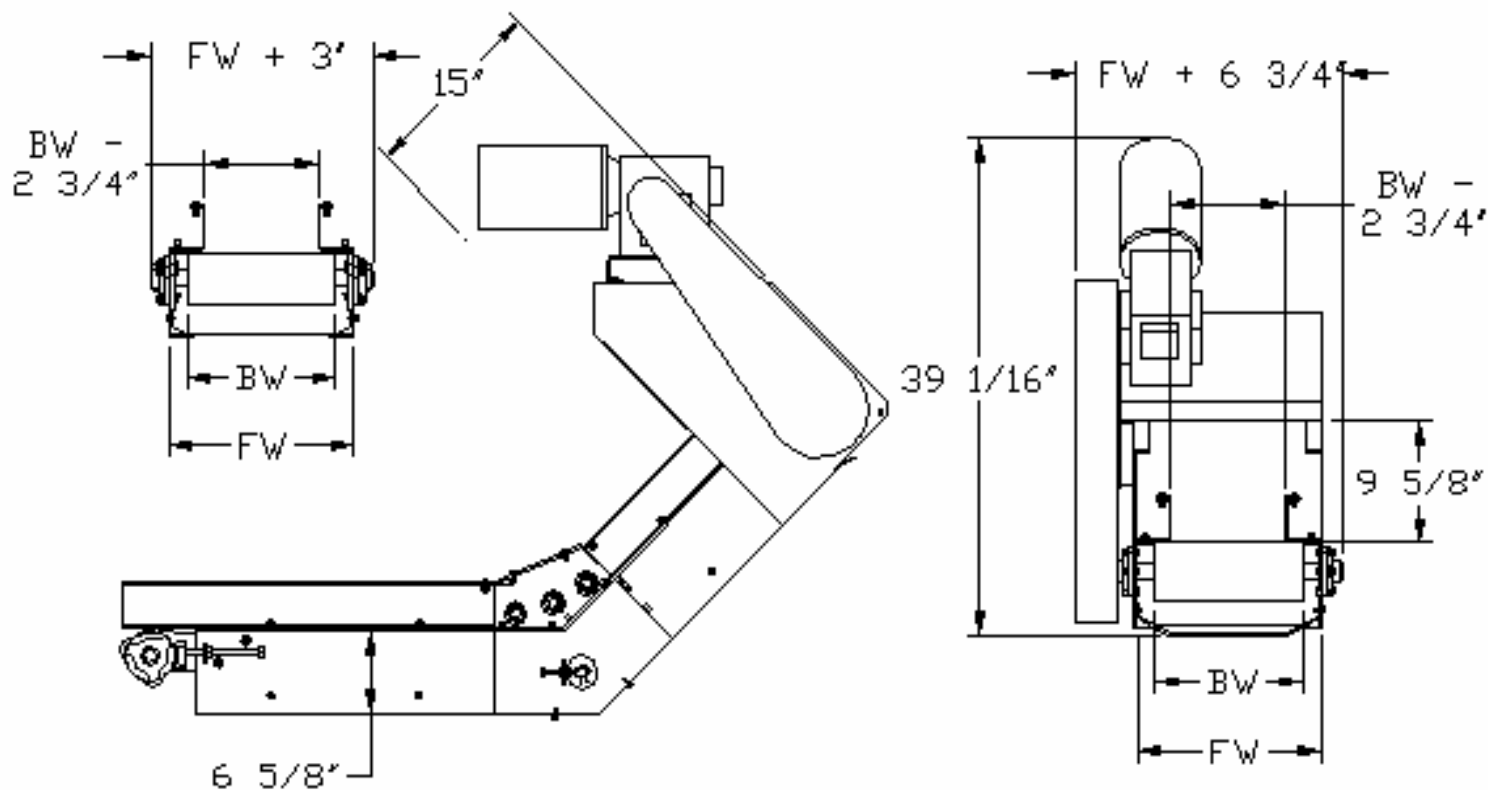


45° TOP MOUNTED DRIVE

STANDARD DUTY HORIZONTAL-TO-INCLINE PARTS and BULK MATERIAL HANDLING CONVEYOR

A conveyor offering both horizontal and incline capabilities for use in parts handling/separator applications and for bulk products like sludge, scrap or nuts, bolts or washers. Its mobile and features a low profile infeed for easy placement under existing machines.



45° TOP MOUNT DRIVE

45° TOP MOUNT DRIVE

1700 Division Street, New London, WI 54961